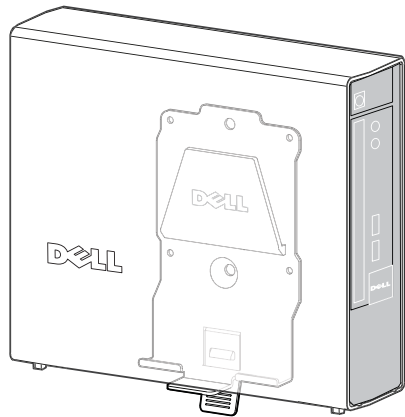
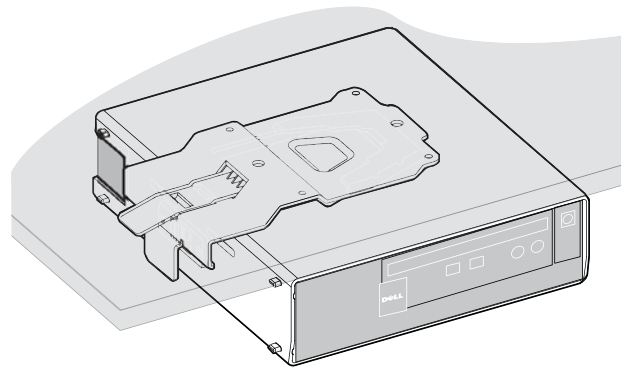


Dell™ OptiPlex™ 780-USFF Mounting Bracket

Wall with Wood Stud Mount







Under Desk Mount



The Dell OptiPlex 780-USFF Mounting Bracket supports the System in vertical or horizontal orientations.

Hazard Symbols Review

These symbols alert the user about a safety condition that demands attention. All users of the product should be able to recognize and understand the significance of the following safety hazards if encountered on the product or within product documentation.

Symbol	Signal Word	Level of Hazard
	NOTE	A NOTE indicates important information that helps you make better use of your Dell Mounting Bracket.
	CAUTION	A CAUTION indicates either potential damage to hardware or loss of data and tells you how to avoid the problem.
	WARNING	A WARNING indicates either potential for property damage, personal injury, or death.
	ELECTRICAL	An ELECTRICAL indicates an impending electrical hazard which, if not avoided, may result in personal injury, fire and/or death.

Information in this document is subject to change without notice.
© 2009 Dell Inc. All rights reserved. Printed in China.

Reproduction of these materials in any manner whatsoever without the written permission of Dell Inc. is strictly forbidden.

Trademarks used in this text: and the logo are trademarks of Dell Inc.

Other trademarks and trade names may be used in this document to refer to either the entities claiming the marks and names or their products. Dell Inc. disclaims any proprietary interest in trademarks and trade names other than its own.

Model ARWAL

October 2009 Rev. A00

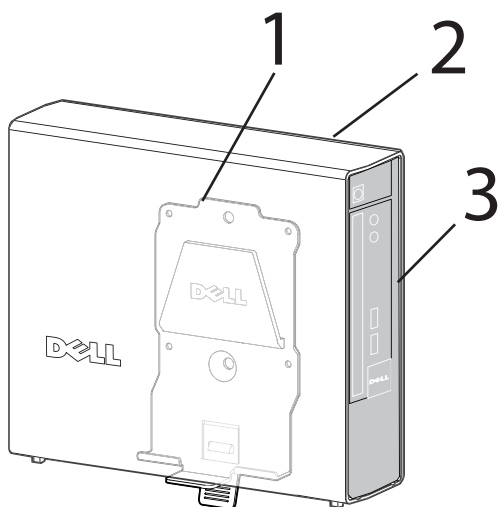
Contents

1	About your Dell OptiPlex 780-USFF Mounting Bracket	4
2	Setting up your Dell OptiPlex 780-USFF Mounting Bracket.....	4
3	Specifications.....	14
4	Finding Information	14

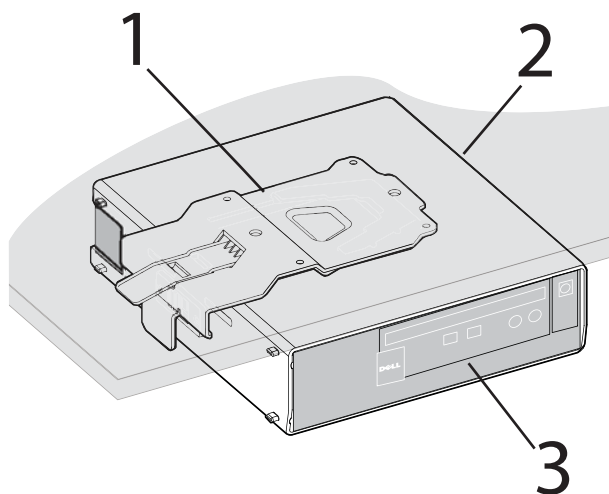
About your Dell OptiPlex 780-USFF Mounting Bracket

1

Wall Mount



Under Desk Mount



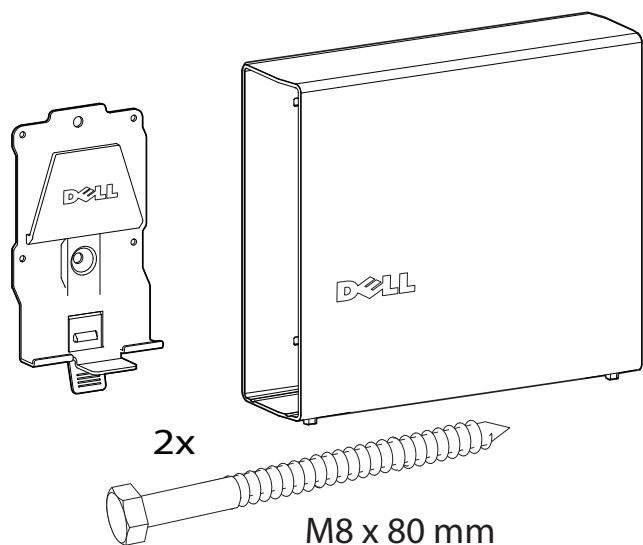
- 1 System Mounting Bracket
- 2 System Sleeve
- 3 System Chassis (ordered separately)

Setting up the Dell OptiPlex 780-USFF Mounting Bracket

2

Components

Mounting Bracket, System Sleeve, two Lag Screws

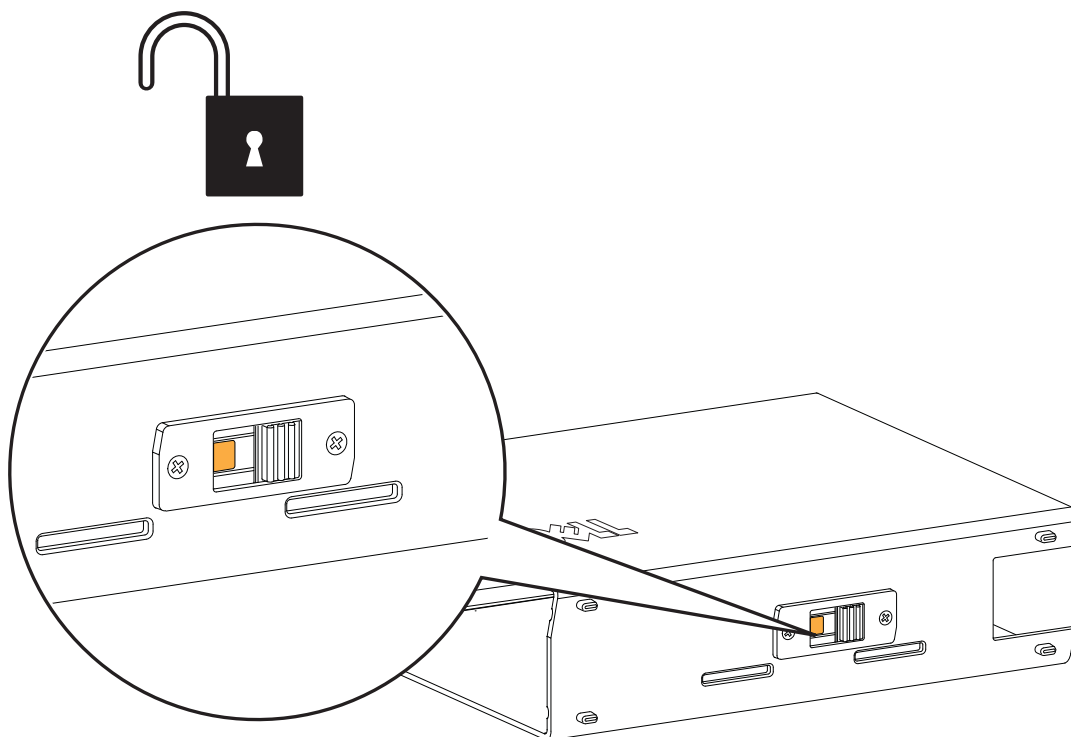


WARNING: Because surfaces vary widely and the ultimate mounting method is out of DELL's control, it is imperative that you consult with an appropriate engineering, architectural or construction professional to ensure that your DELL mounting solution can support 50 lbs (23 kg) and is mounted properly.

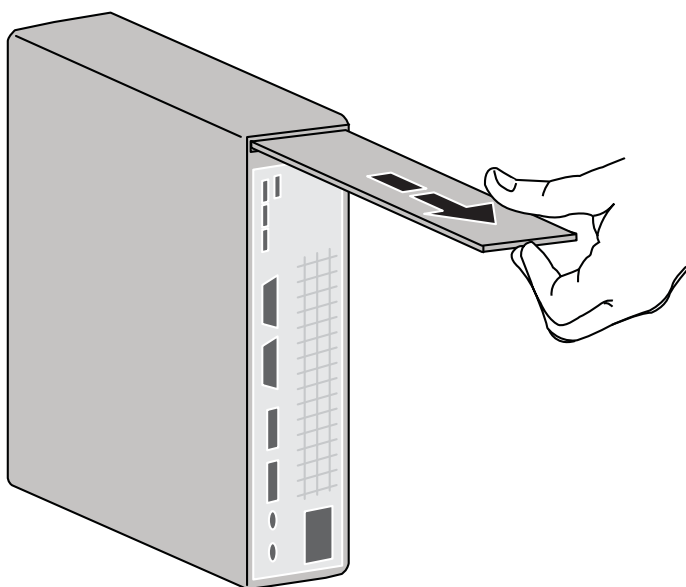


NOTE: Refer to the System Instruction Guides, packaged separately.

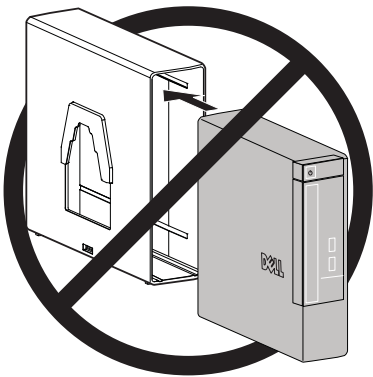
- 1 Ensure the system sleeve is unlocked, (orange tab will show).



-
- 2 Extend the system label carrier.



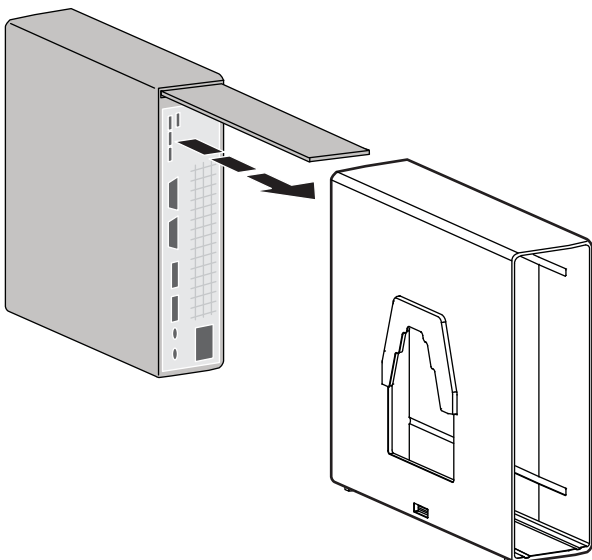
- 3 Insert the system into the system sleeve in the orientation appropriate to the mounting method as illustrated below.



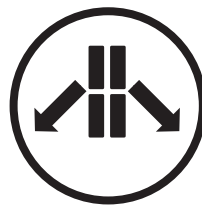
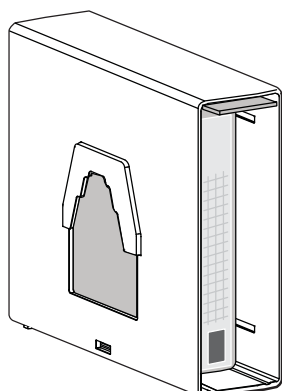
CAUTION: Do not reverse the insertion order. The system must be inserted in the orientation specified to ensure proper functioning of the CD tray!

Wood Stud Wall Mount

Insert the system into the system sleeve with the connections end first.

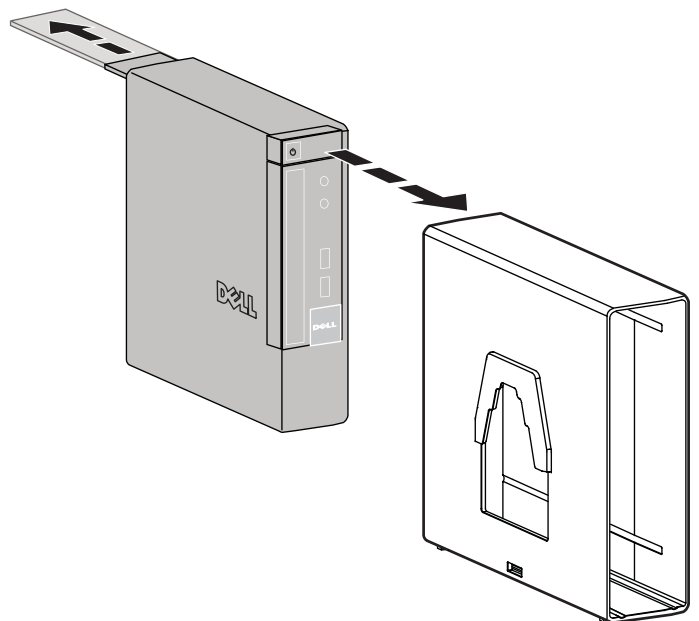


NOTE: When inserted properly for wall mount applications, the connections end of the system will not reach the edge of the system sleeve.

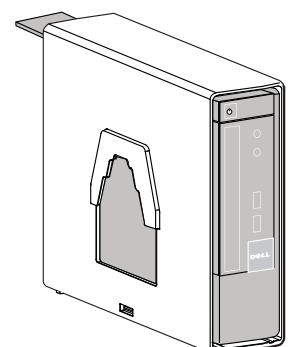


Under Desk Mount

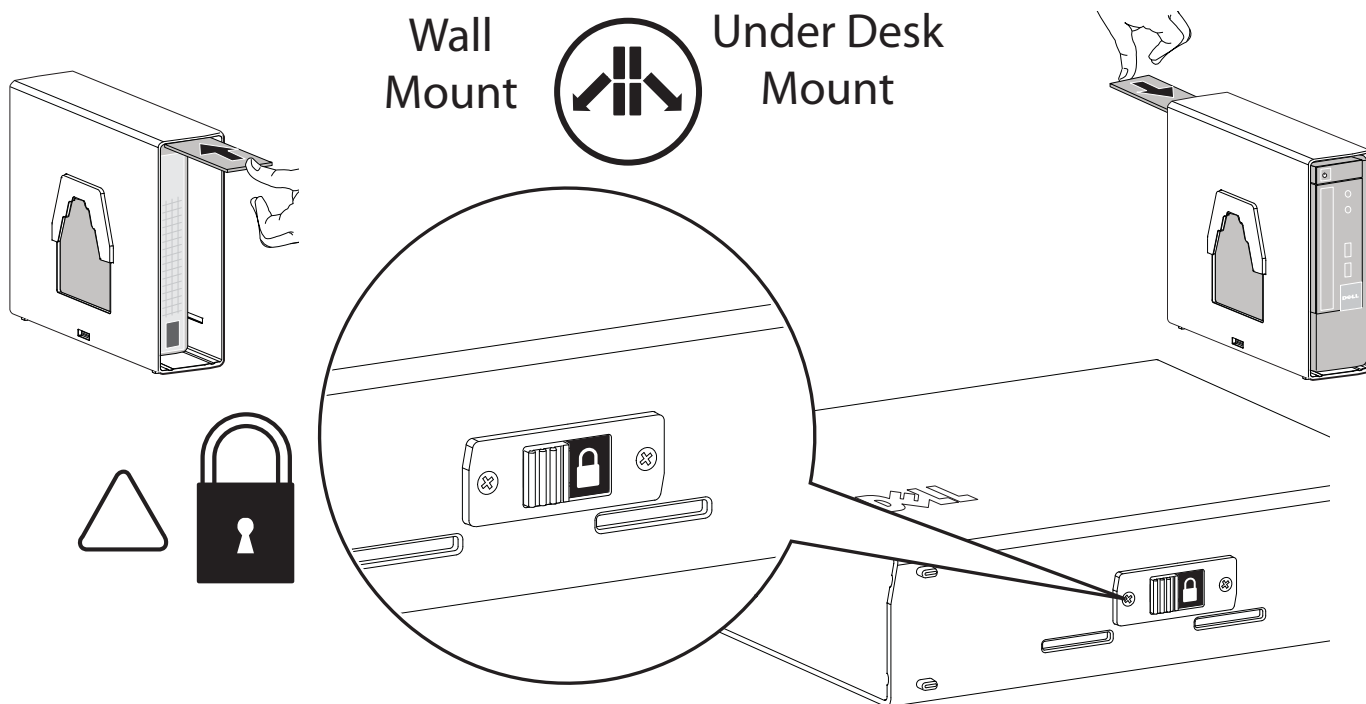
Insert the system into the system sleeve with the CD end first.



NOTE: When inserted properly for under desk mount applications, the CD end of the system will reach the end of the system sleeve.

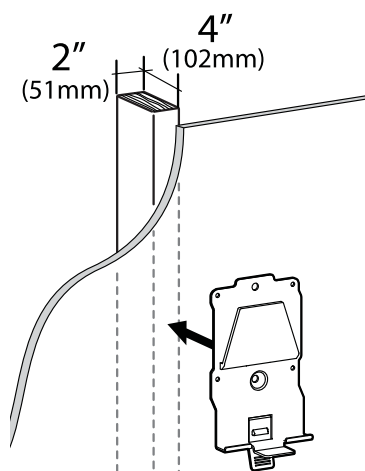


4 Push the system label carrier into the system sleeve, then slide the switch to lock.



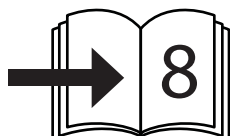
5 Determine the mounting method (Wall or Under Desk), then follow the appropriate instructions on the pages noted below.

Wood Stud Wall Mount

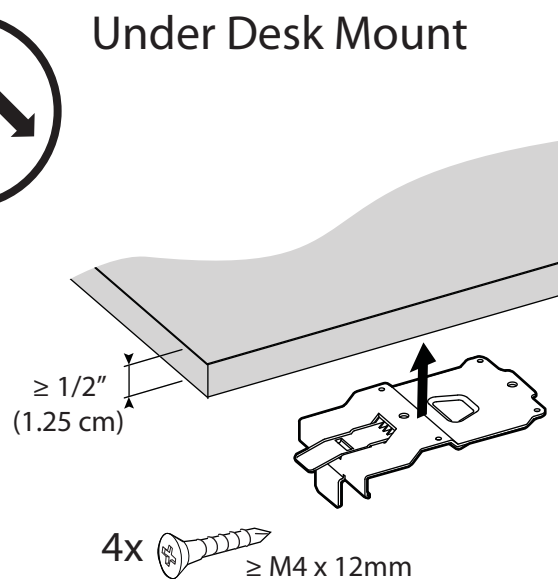


CAUTION: The provided fasteners are rated for use with 2 x 4 wood studs, minimum. Consult an engineering professional to determine which fasteners are appropriate based on surface material and applied load.

Wall Mount Steps



Under Desk Mount



CAUTION: Mounting fasteners are not included with bracket. Use appropriate fasteners to attach to a solid mounting surface that can support 50 lbs. (23 kg). At a minimum, the mounting surface should be 1/2" (1.25 cm) thick wood and mount using 4 metal wood screws (M4 x 12mm).

Under Desk Mount Steps

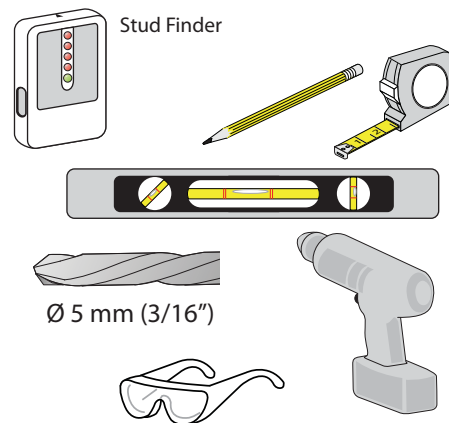


Wood Stud Wall Mount Steps

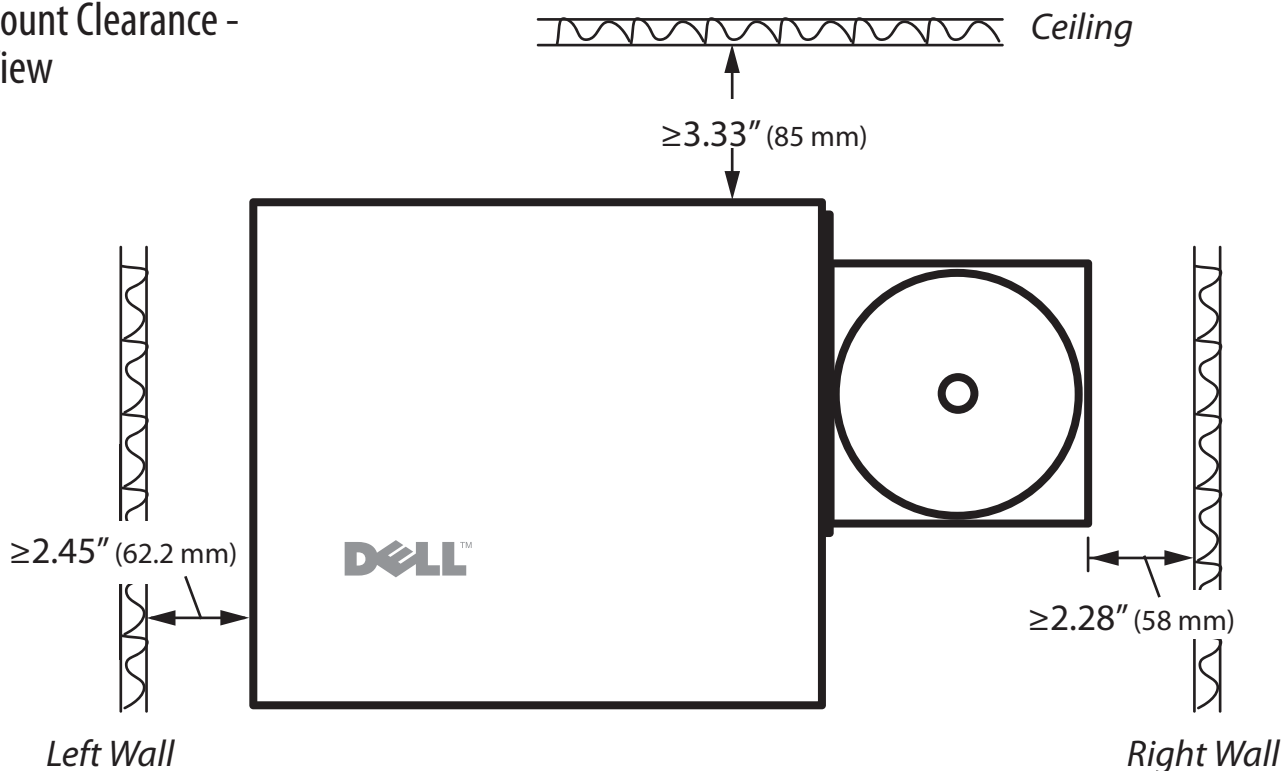
6 Attach the mounting bracket to the wood stud.



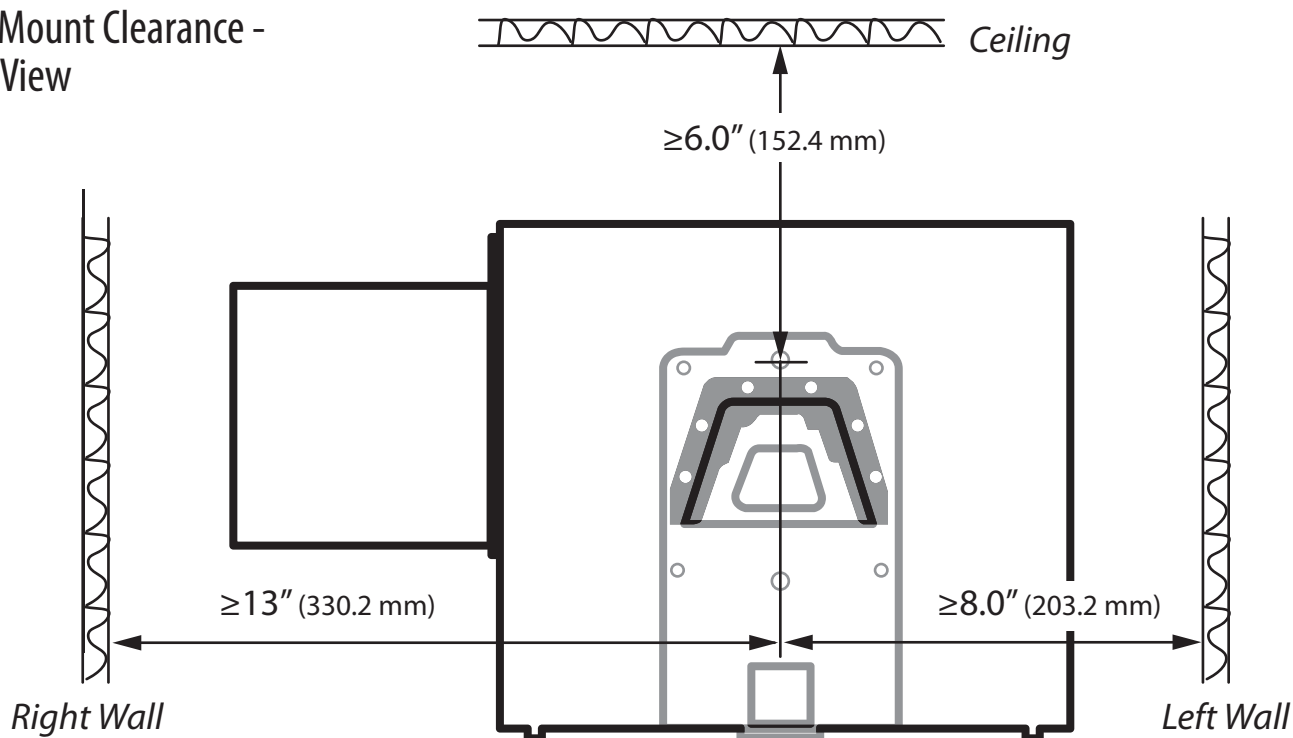
NOTE: The following tools are required for installation to the wall stud: stud finder, measuring tape, pencil, level, safety glasses, power drill with 3/16" (5mm bit suitable for wood).

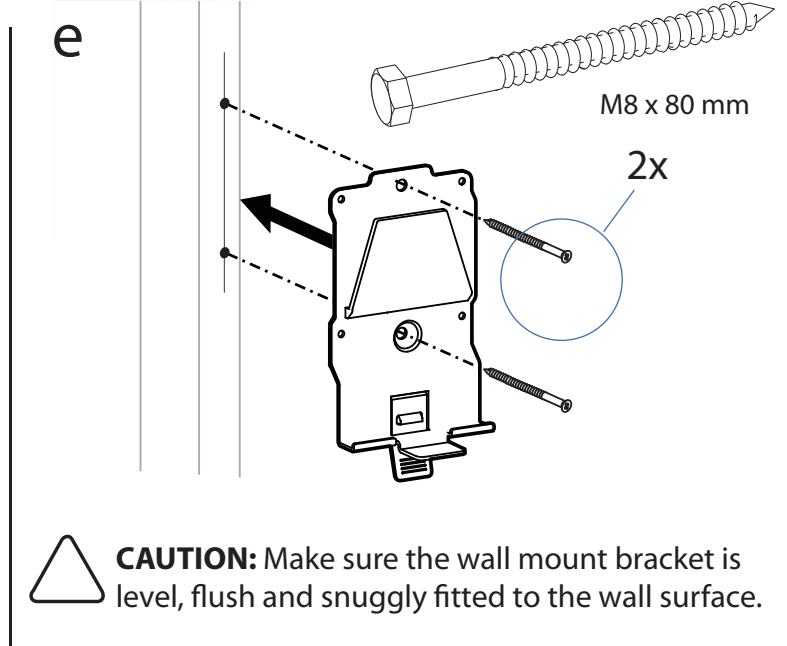
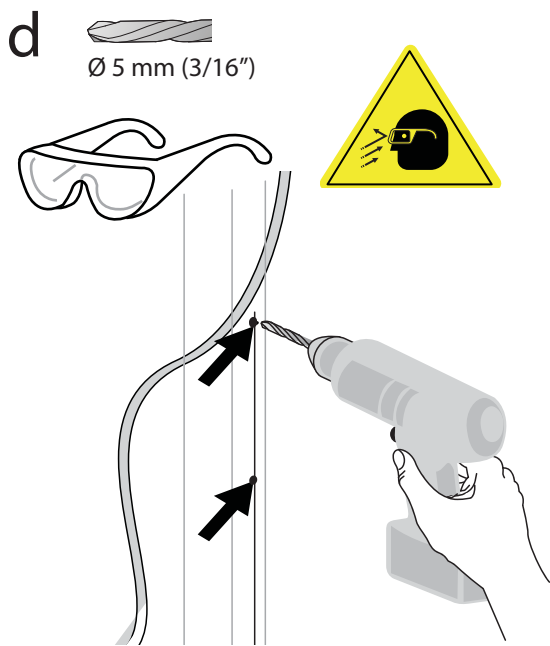
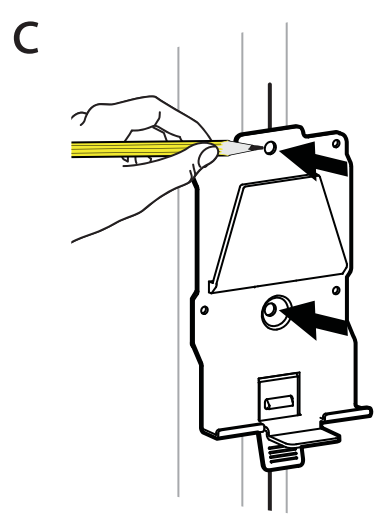
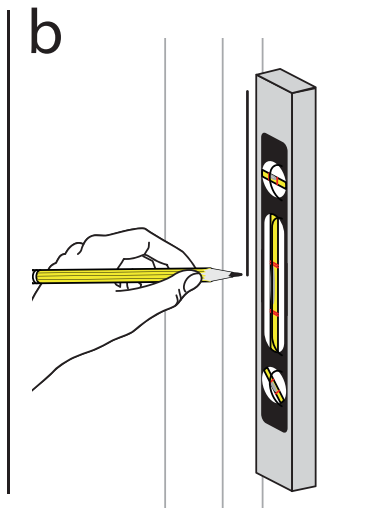
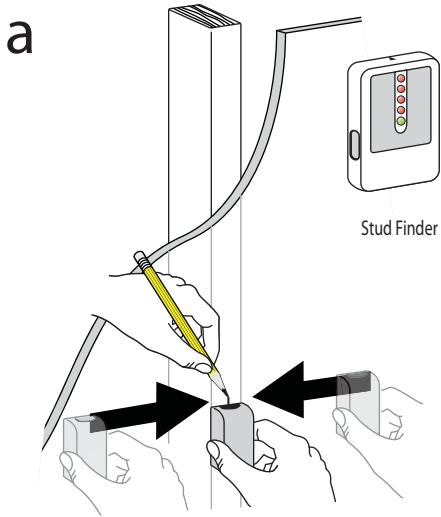


Wall Mount Clearance - Front View

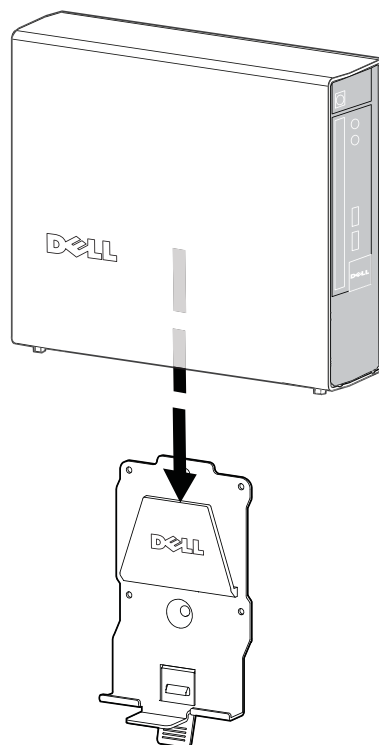


Wall Mount Clearance - Back View





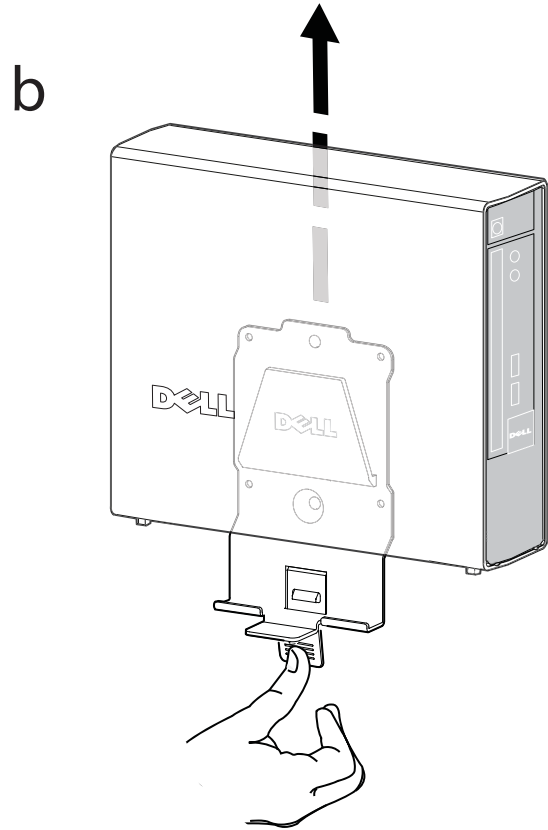
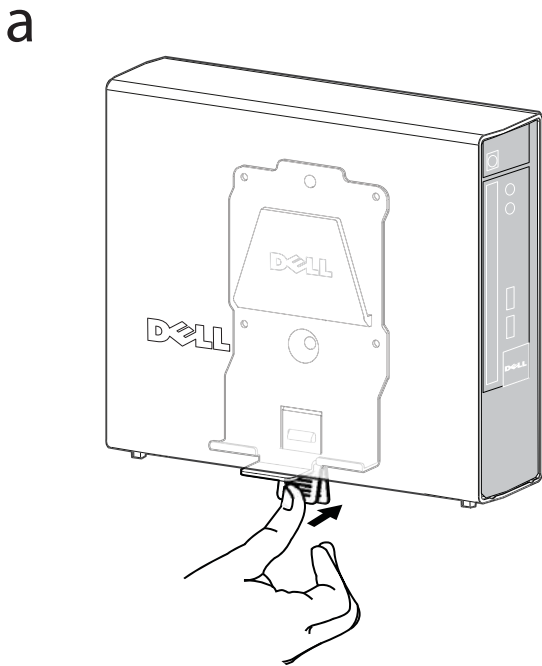
f Lower the system onto the wall-mounted bracket.





To remove the system from the mounting bracket:

- a Push the quick release tab backward.
- b Lift the system upward until it is free of the bracket.

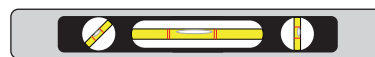
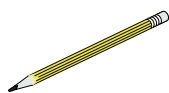
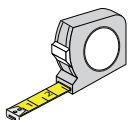


Under Desk Mount Steps

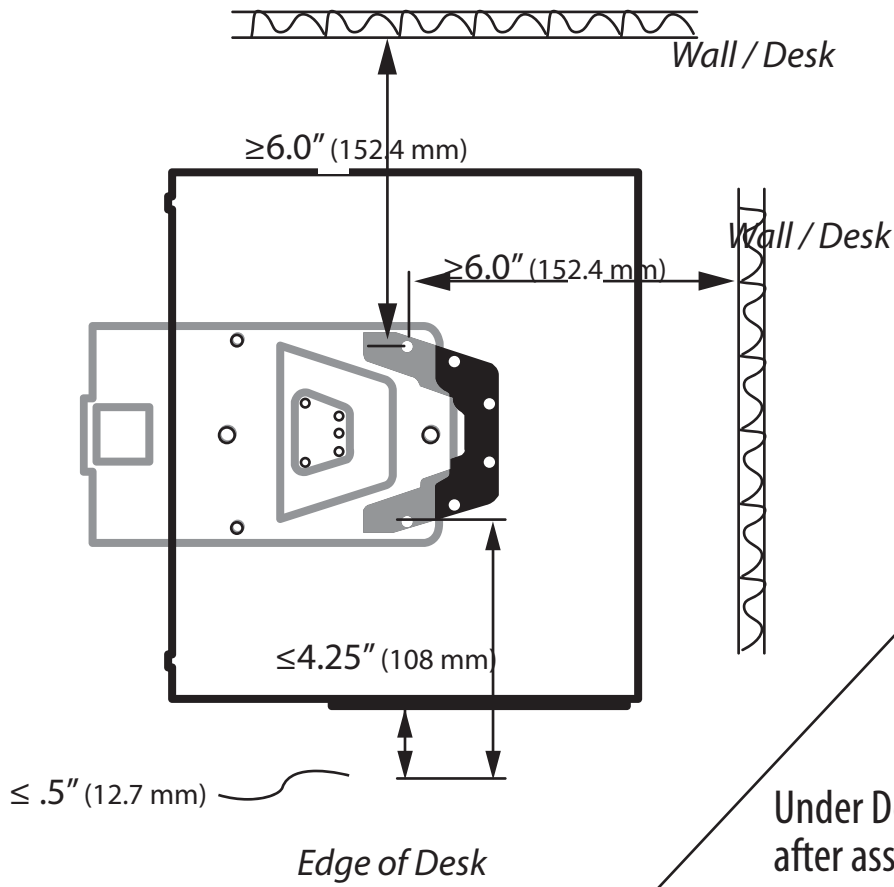
- 6 Mark the mounting hole locations using the measurements provided on the next pages.



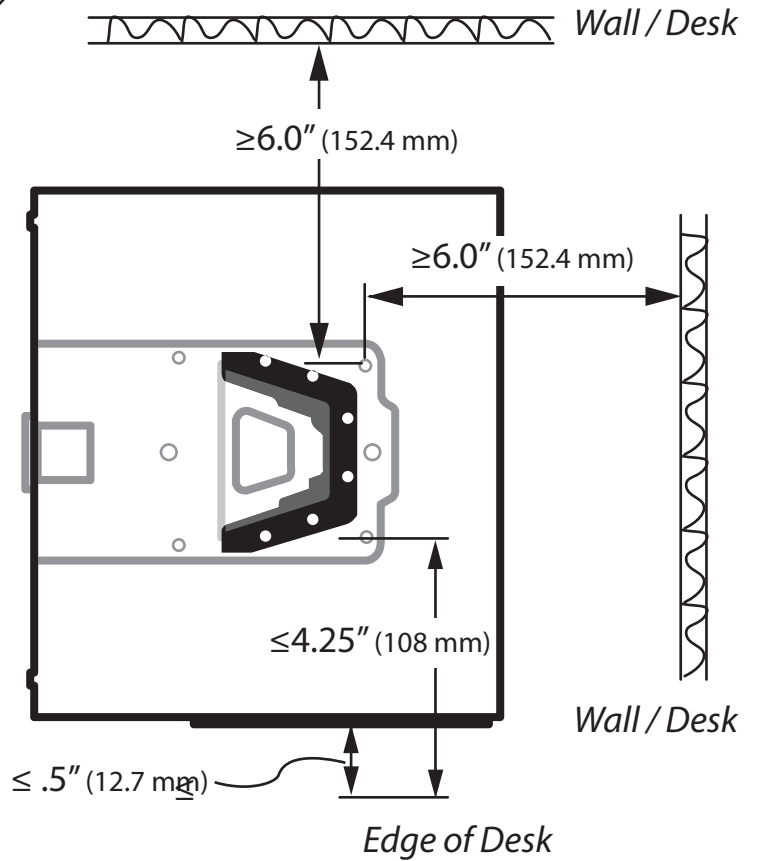
NOTE: The following tools are required for installation to the desk: measuring tape, pencil, level.




Under Desk Clearance - during assembly

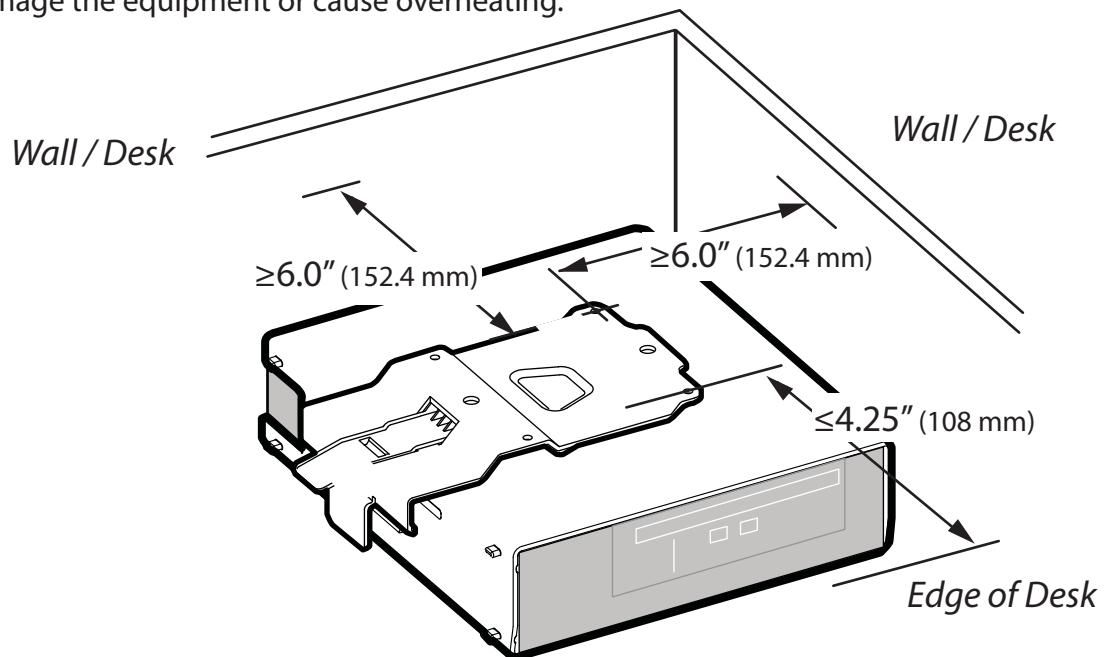


Under Desk Clearance - after assembly




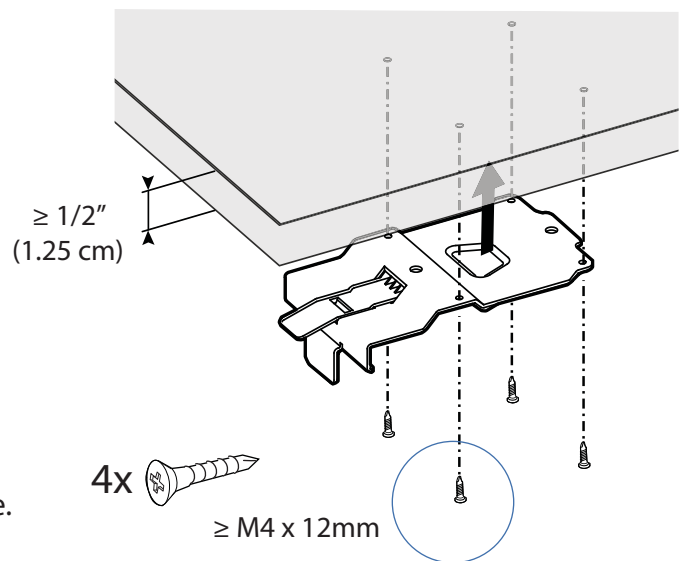
Under Desk Clearance


-  **CAUTION:** The system should have at least 6" (152.4 mm) of clearance on all vented sides to permit the airflow required for proper ventilation. Restricting airflow can damage the equipment or cause overheating.



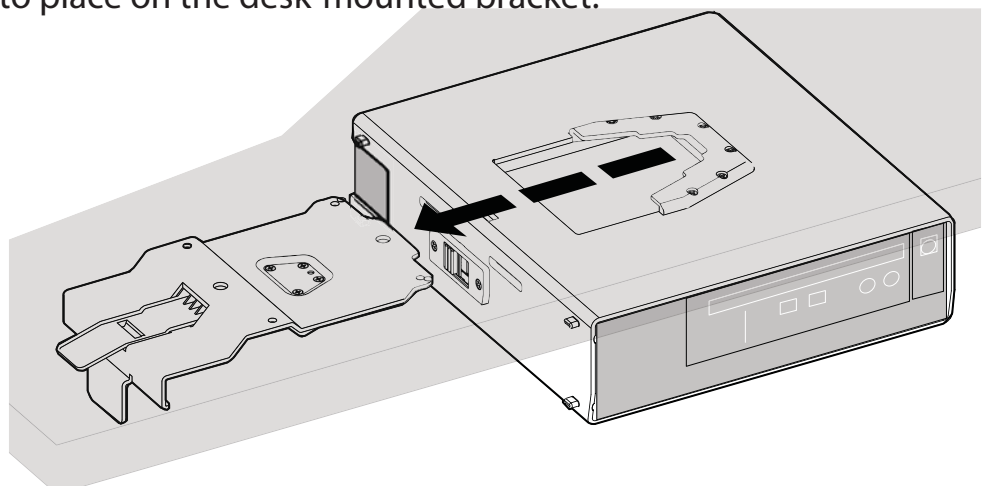
- a** Mount the bracket underneath the desk.

-  **CAUTION:** Mounting fasteners are not included with bracket. Use appropriate fasteners to attach to a solid mounting surface that can support 50 lbs. (23 kg). At a minimum, the mounting surface should be 1/2" (1.25 cm) thick wood and mount using 4 metal wood screws (M4 x 12mm).



-  **CAUTION:** Make sure the wall mount bracket is level, flush and snugly fitted to the wall surface.

- b** Slide the system into place on the desk-mounted bracket.

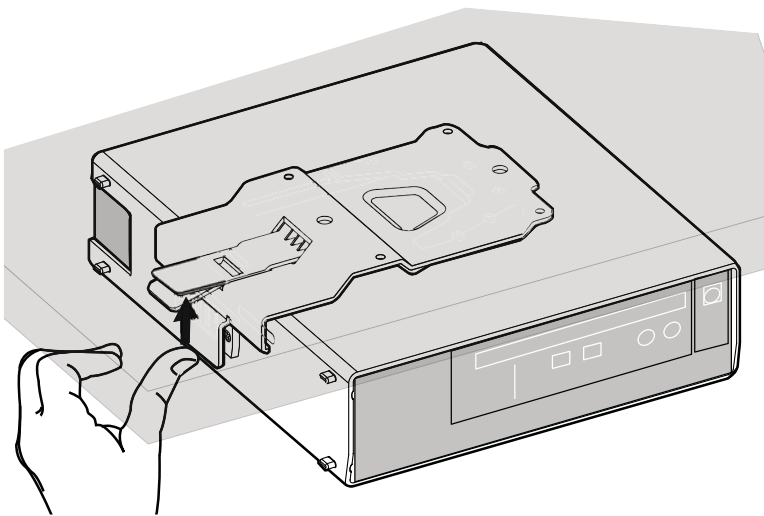




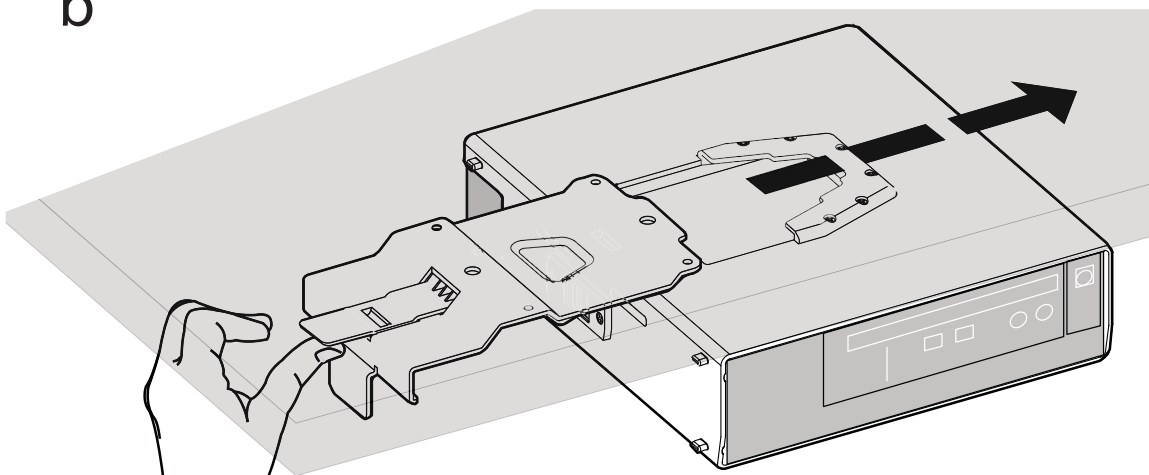
To remove the system from the mounting bracket:

- a Push the quick release tab upward.
- b Slide the system toward the right until it is free of the bracket.

a



b



Specifications

3

System Weight Capacity

Dell System: OptiPlex 780-USFF ≤ 7 lbs (3.2 kg)

Temperature

Operating	32°F to 95°F (0°C to 35°C)
Storage	-40°F to 149°F (-40°C to +69°C)
Transportation	-40°F to 149°F (-40°C to +69°C)

Finding Information

4

If you need to:

Find safety best practices information for your computer, review Warranty information, Terms and Conditions (U.S. only), Safety instructions, Regulatory information, Ergonomics information, and End User Agreement

See:

The safety and regulatory documents that shipped with your computer and the Regulatory Compliance Homepage at www.dell.com/regulatory_compliance.